

# SpiralTrac™ Adaptor

## Quote Form

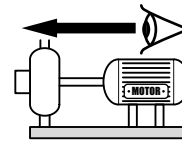
### Configuration

Note: For vertical turbines please refer to the *Vertical Turbine Quote Form*.

- Sufficient flush pressure (1 Bar/15 psi above box pressure) to ensure a positive flow into the box is required.
- EnviroSeal recommends that a flow meter and a check valve be utilized on the flush line.
- Vertical applications are sized the same as horizontal.

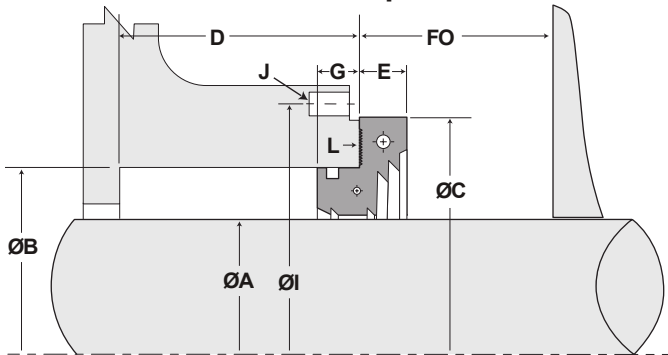
- 1:  Seal Adaptor     Packing Adaptor
- 2:  Split             Solid

3: Shaft rotation as viewed from the motor end:  
(Double ended pumps require both R and L devices)

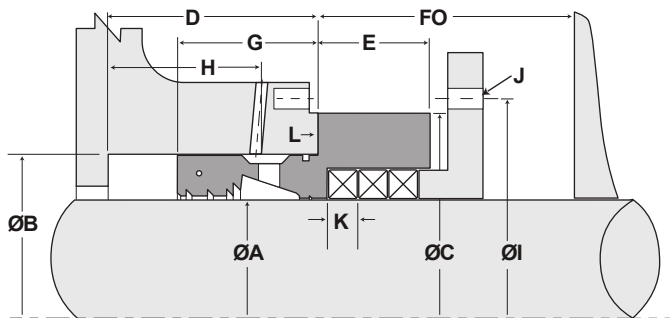


- R** CW
- L** CCW

### Seal Adaptor



### Packing Adaptor\*



### Measurements

Units of measurement:  Inch     Metric

Seal being used: \_\_\_\_\_

ØA (Sleeve OD): \_\_\_\_\_

ØB (Box ID): \_\_\_\_\_

ØC (Flange OD): \_\_\_\_\_

D (Box depth): \_\_\_\_\_

E (Flange width): \_\_\_\_\_

FO (First obstruction): \_\_\_\_\_

G (Nose width): \_\_\_\_\_

ØI (Bolt pattern/diameter): \_\_\_\_\_

J (Bolt Size): \_\_\_\_\_

H\* (to edge of flush port): \_\_\_\_\_

K\* (Packing size desired): \_\_\_\_\_

L (Gasket):    ESC only: Gasketing Surface    Metal only: Flat Surface

Flat gasket not supplied by EnviroSeal

### Material

- ESC (Carbon filled PTFE)
- 316 Stainless Steel
- 416 Stainless Steel
- 17-4PH Stainless Steel
- BRZ (660 Bronze)
- Other: \_\_\_\_\_

### Extra Information

Flush rate: \_\_\_\_\_

Cavity Pressure: \_\_\_\_\_

Make/Model: \_\_\_\_\_

Size: \_\_\_\_\_

RPM: \_\_\_\_\_

Product: \_\_\_\_\_

Notes: \_\_\_\_\_

Distributor Company: \_\_\_\_\_

Specialist: \_\_\_\_\_

P.O.# \_\_\_\_\_

Customer: \_\_\_\_\_

Solids %: \_\_\_\_\_

Temperature: \_\_\_\_\_



2456 Rocky Lake Drive  
Waverley, Nova Scotia, Canada  
B2R 1R6

enviroseal.ca  
info@enviroseal.ca  
+1 (902) 861-3464

This document is available online at [enviroseal.ca](http://enviroseal.ca). EnviroSeal Terms & Conditions of Sale is available online at [enviroseal.ca/terms\\_of\\_sale](http://enviroseal.ca/terms_of_sale). The purchaser is responsible for ensuring the dimensions, quantity and applications suitability meet end user requirements. Please email filled out form to [support@enviroseal.ca](mailto:support@enviroseal.ca).

Patent Protected Worldwide. SpiralTrac is a trademark of EnviroSeal Engineering Products Ltd.