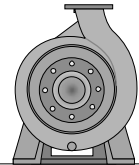


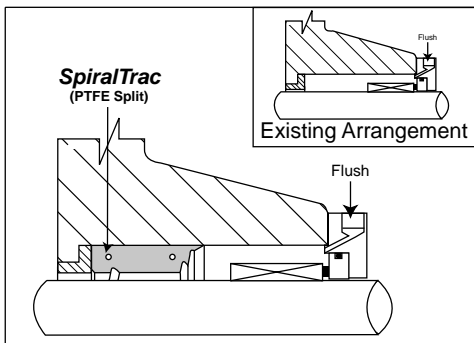
# Goulds 3175



## Mechanical Seal Applications

**SpiralTrac installed with split mechanical seal.** Note 1.

Fig.1



### Benefits:

**SpiralTrac** Reduces flush to as low as 8-10 GPH (30-37 LPH) (Fig. 1), or possible "0" flush (Fig. 2) or (Fig. 3).

**SpiralTrac** Increases MTBF.

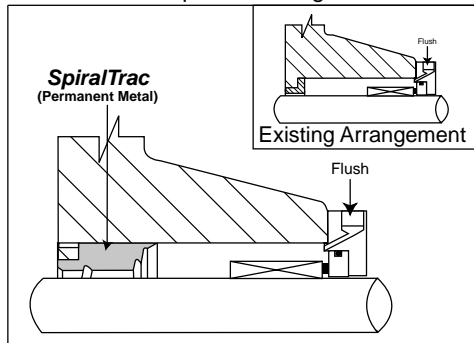
**SpiralTrac** Reduces shaft or sleeve wear.

**SpiralTrac** Eliminates seal and cavity erosion.

**SpiralTrac** Enables seals to operate in applications not possible before.

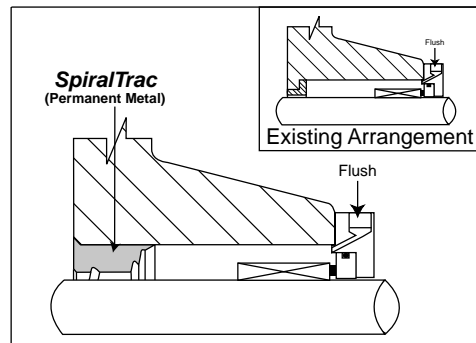
**SpiralTrac installed with split or cartridge mechanical seal.** Note 1.

Fig.2



**SpiralTrac installed with split or cartridge mechanical seal.** Note 1.

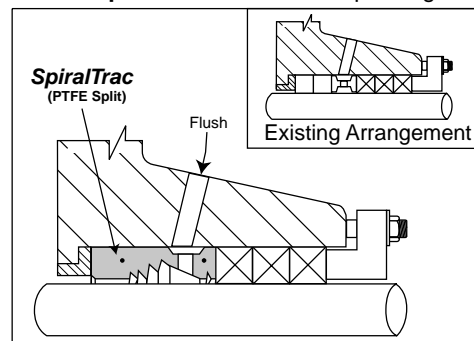
Fig.3



## Packing Applications

**SpiralTrac installed with packing.** Note 1.

Fig.4



### Benefits:

**SpiralTrac** Reduces flush required to as low as 8-10 GPH (30-37 LPH).

**SpiralTrac** Increases MTBF.

**SpiralTrac** Requires less packing .

**SpiralTrac** Reduces shaft or sleeve wear.

**SpiralTrac** Enables packing to operate at a controlled drip rate with fewer adjustments.

## SpiralTrac Enhanced Environment

Results that will surpass anything you have experienced in the past.

## Part numbers for SpiralTracs to be installed in Goulds 3175.

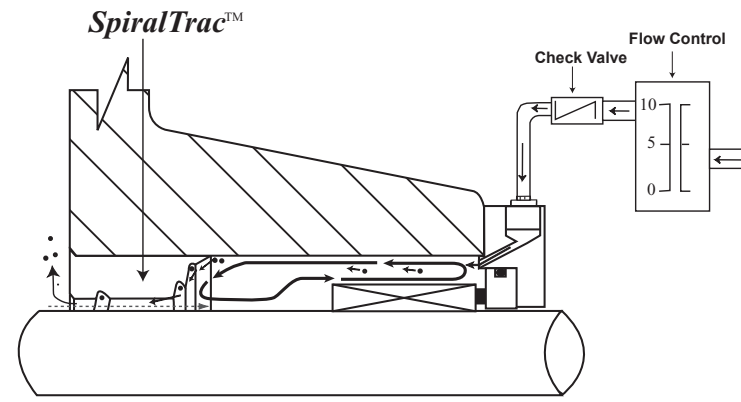
Model	Part Number	Comments
<b>3175 S</b>	NI 3000 R(B or I) 4000 (XXX)	Permanent metal seal device: split or cartridge.
	NI 3000 RA 4000 (XXX)0.625/3.500	Permanent metal seal device: split or cartridge.
	DI 3000 RI 4000 (XXX)	Permanent metal seal device: split or cartridge.
	DI 3000 RA 4000 (XXX)0.625/3.500	Permanent metal seal device: split or cartridge.
	FI 3000 RS 4000 (ESC)	PTFE split device.
	PI 3000 RS 4000 (ESC) 2L1.000	PTFE split packing device.
<b>3175 M</b>	NI 3750 R(B or I) 4750 (XXX)	Permanent metal seal device: split or cartridge.
	NI 3750 RA 4750 (XXX) 0.625/4.250	Permanent metal seal device: split or cartridge.
	DI 3750 RI 4750 (XXX)	Permanent metal seal device: split or cartridge.
	DI 3750 RA 4750 (XXX)0.625/4.250	Permanent metal seal device: split or cartridge.
	FI 3750 RS 4750 (ESC)	PTFE split device.
	PI 3750 RS 4750 (ESC) 2L1.000	PTFE split packing device.
<b>3175 L</b>	NI 4750 RI 5750 (XXX)	Permanent metal seal device: split or cartridge.
	NI 4750 RA 5750 (XXX)0.625/5.250	Permanent metal seal device: split or cartridge.
	DI 4750 RI 5750 (XXX)	Permanent metal seal seal device: split or cartridge.
	DI 4750 RA 5750 (XXX)0.625/5.250	Permanent metal seal device: split or cartridge.
	FI 4750 RS 5750 (ESC)	PTFE split device.
	PI 4750 RS 5750 (ESC) 2L1.000	PTFE split packing device.

Material Code: **ESC**- Carbon Graphite PTFE      **416**-416 Stainless Steel    **316**-316 Stainless Steel    **BRZ**-Bronze

### Why use a SpiralTrac Environmental Controller in your Pump?

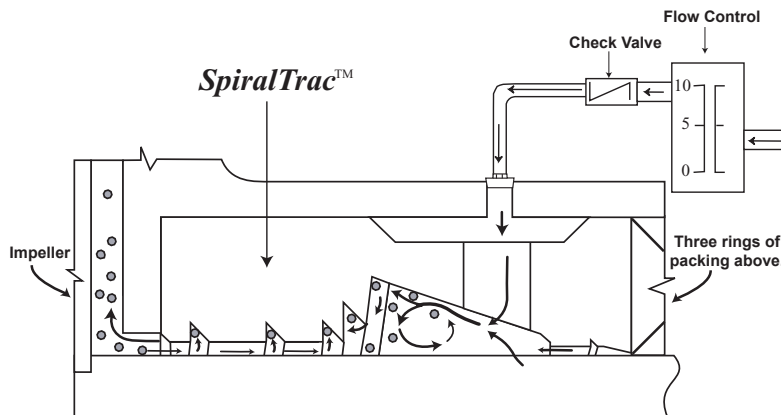
#### With A Mechanical Seal

Contaminants normally accumulate at the seal cavity bore because centrifuge drives abrasives outward. SpiralTrac™ establishes a flow pattern, drawing from the bore to collect and expel abrasives from the cavity. The SpiralTrac Enhanced Environment results in longer seal life, reduced flush requirements and less maintenance.



#### With Packing

By design, the SpiralTrac™ Version P enables greatly reduced flush through enhanced utilization of the flow and centrifugal effects around the rotating shaft. Normally abrasives accumulate under the bottom rings of packing, causing shafts and sleeves to wear. SpiralTrac™ creates a "cleaner" environment below the packing, thereby reducing erosion. The benefits of high quality packing; low leakage, fewer adjustments, and reduced wear rates can finally be utilized. The use of three rings of packing is recommended.



The information contained in this bulletin is accurate at time of print. The purchaser is responsible for ensuring the dimensions, quantity and applications suitability meet end-user requirements. Most products are "manufactured to order"; therefore, EnviroSeal Engineering Products Ltd. retains the right to individually authorize returns based upon the potential for resale of the products within a reasonable period of time.

**Questions:** Ask your local Distributor or contact EnviroSeal directly.