

Application Highlight



Pulp & Paper | Pulp | Mechanical Seal

Application Info

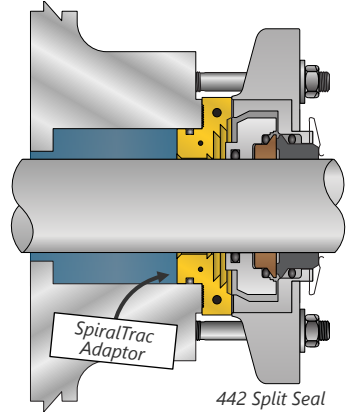
- **Industry:** Pulp & Paper
- **Location:** Sweden
- **Equipment:** Sulzer© Scaba 710 Mixer
- **Product:** Pulp, 3% solids
- **Temperature:** 65° C

Solution & Result

- Chesterton 442® Split Seal, 110 mm
- **SpiralTrac™ Adaptor** part# AFS11-0164R(ESC), made of carbon graphite (ESC) material

This solution was installed first in **2011**, and has been in operation ever since.

During this time, the 442 seal has been serviced a couple of times (easily, without disassembling the equipment) and after over **13 years**, the original SpiralTrac Adaptor is being replaced as well. Reason for replacement is due to excessive wear on the spiral grooving as a result of physical contact with rotating element.



Worn SpiralTrac Adaptor after over 13 years in operation



442 Split Seal



SpiralTrac Adaptor in ESC material

For more information please send an email to us at support@enviroseal.ca. We hope to hear from you!

