

Application Success Story

Pulp & Paper • Water and Pulp • Packing



Application Info

Pump: Agitator

Model: Andritz

Shaft size: 105 mm

Product: Water & Pulp

Temperature: 60 °C

Speed: 184-260 rpm

Challenge

Excessive leakage and shaft runout. Current solution is a common 2L3 setup, with excessive flush water spraying out of the stuffing box. This leakage has resulted in bearing failure which created a shaft runout that destroyed the shaft/sleeve, packings and lantern ring.

Solution

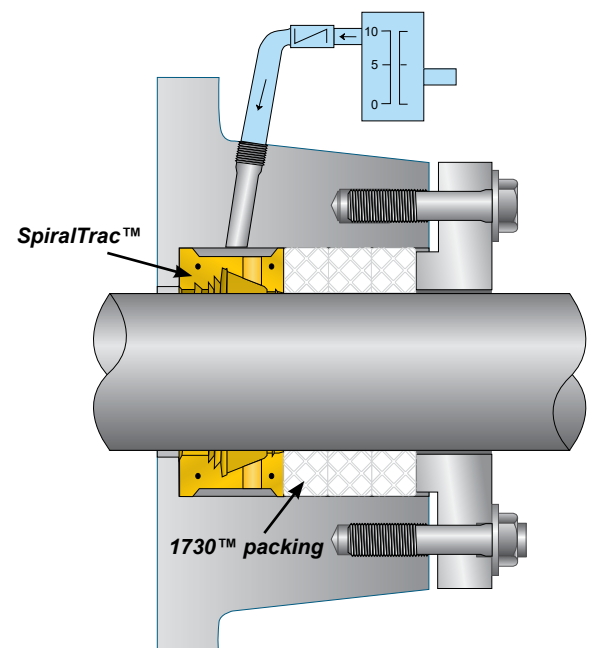
Once the agitator was disassembled the Chesterton specialist was able to investigate the mode of failure, contacted our technical support team and they came up with the perfect solution based on the information provided. Intermittent shaft support was a key factor in choosing the right SpiralTrac™ material in this case, so we suggested the device being made of our 660 bearing bronze material. Bronze has excellent wear properties, it can absorb shaft deflection without damaging the shaft. To complete the sealing solution, the specialist used 3 rings of Chesterton's 1730™ packing above SpiralTrac™.

Result

To date (2018 April) the agitator has been running problem free since December 2016, with drip rate leakage and no leak of pulp, only clean water. Customer is ecstatic about the results, and he is in the process of converting his other agitator to the same solution.



Before: a mixture of water and pulp in excessive flush leakage



2D visual of SpiralTrac™ installed with 3 rings of Chesterton 1730 Mill Pack™ thermoset fibre packing

If this Success Story has peaked your interest and would like to know more, our technical support team can always be reached at support@enviroseal.ca. Hope we will hear from you!



EnviroSeal Engineering Products Ltd.
2456 Rocky Lake Drive | Waverley | Nova Scotia | CANADA | B2R 1R6
Tel: (902) 861-3464 Fax: (902) 861-3522
info@enviroseal.ca | enviroseal.ca

