

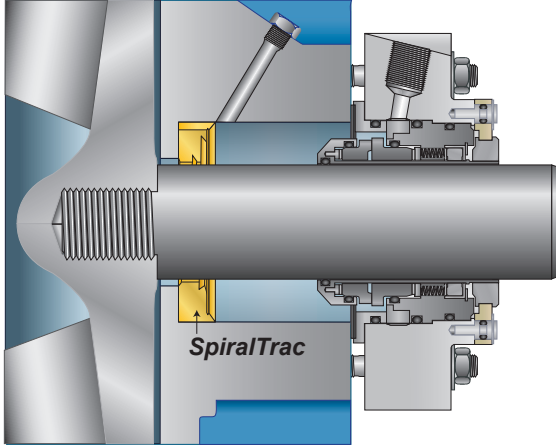


Application Success Story:

Industry: Manufacturing

Product: Water

Sealing Solution: Mechanical Seal



Application Info

- Equipment: Flygt Pump
- Product: gas washing water (water with abrasives particles)
- Shaft Speed: 3000 RPM
- Pressure: 4.6 bar (66 psi)
- Sleeve Diameter: 65mm (2.559")

Problem

- The Mechanical packing had to be replaced every 2 months at a cost of \$311 for labor and parts.
- The pump had to be replaced every year because when it was torn down to replace the shaft and sleeve it was found that the hydraulic parts were also subject to excessive wear and not worth the repair.
- The maintenance packing cost $\$311 \times 6 = \$1,866/\text{year}$
The pump changed every 1 year : \$13,522
Cost : \$15,388/year
TOTAL Cost : \$46,164 for 3 years

Solution

- SpiralTrac Version N Type B in Stainless Steel.
- Chesterton mechanical seal MS S10 65mm SSC SSC.
- Flush Plan 32

Result

- The pump ran 3 years and there was no leakage at the Mechanical Seal but the hydraulic parts of the pump are totally worn out of service.
- The SpiralTrac and the S10 are lasting longer than the pump.
- Cost of the Pump : \$13,522
Cost of the SpiralTrac and S10 : \$3,110
Mounting of the SpiralTrac and MS (time) : \$162
TOTAL Cost : \$16,793 for 3 years
TOTAL SAVINGS for 3 years : \$29,368
- The customer was so pleased that he has ordered a new pump and is installing the same sealing solution in it.



2456 Rocky Lake Drive
Waverley, Nova Scotia B2R 1R6 CANADA
(902) 861-3464 Fax: (902) 861-3522
Email: sales@enviroseal.ca
Website: www.enviroseal.ca

DISTRIBUTED BY:

Copyright © 2013

SpiralTrac is a trademark of EnviroSeal Engineering Products Ltd



ST01711-250213 usd