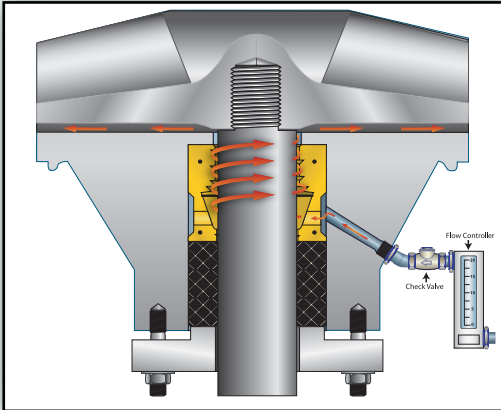


Application Success Story:

Industry: Pulp and Paper

Product: Pulp

Sealing Solution: Packing



• Application Info

- Vertical Pulper
- Shaft: 150mm / 5.905"
- 300 RPM
- Product: 2.5% pulp from recycled paper money
- Temp: 30°C / 86°F

• Problem

- Very hard pulp, shaft sleeve had to be replaced every 6 months due to excessive wear
- Short packing life, MTBR of about 30 days
- Flush rate of 22LPM / 5.8GPM
- Annual cost of repairs about \$4,400.00



• Solution

- SpiralTrac™ Version P installed with Chesterton 1400R™ graphite packing



• Result

- Sleeve life has been extended to 3 years
- Packing life is over 6 months
- Flush rate is 3LPM / 0.8GPM
- Annual cost savings of \$2,600.00

