



## Application Success Story:

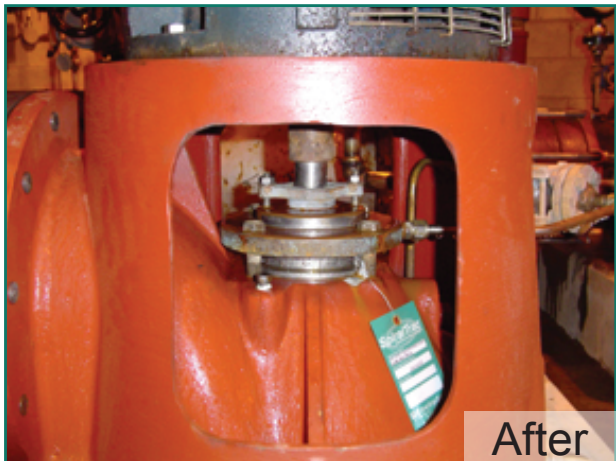
Industry: Pulp & Paper

Product: River Water

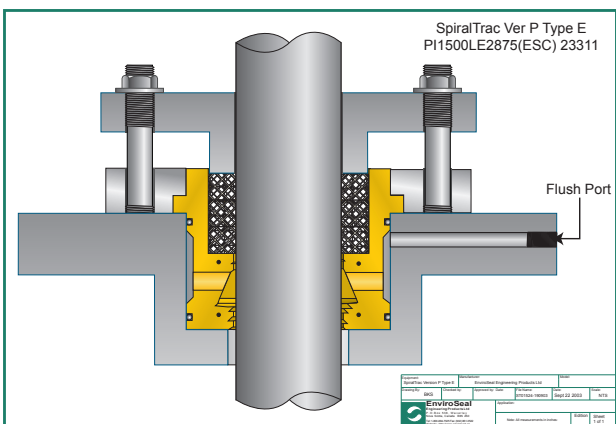
Sealing Solution: Packing



- **Application Info**
  - Peerless Vertical Pump
  - Pumping River Water
- **Problem**
  - Pump would leak and spray at start up
  - Shaft Extremely Worn
  - Had to be repacked every (2-3 weeks)



- **Solution**
  - **SpiralTrac™** Version P Type E and three rings of Chesterton 1730 SC packing



- **Result**
  - Leakage is down to 1 drop every 3-5 seconds !!!



**EnviroSeal**  
Engineering Products Limited

2456 Rocky Lake Drive  
Waverley, Nova Scotia B2R 1R6 CANADA  
(902) 861-3464 Fax: (902) 861-3522  
Email: sales@enviroseal.ca  
Website: www.enviroseal.ca

DISTRIBUTED BY:

SpiralTrac is a trademark of EnviroSeal Engineering Products Ltd.

ST01523-190903