

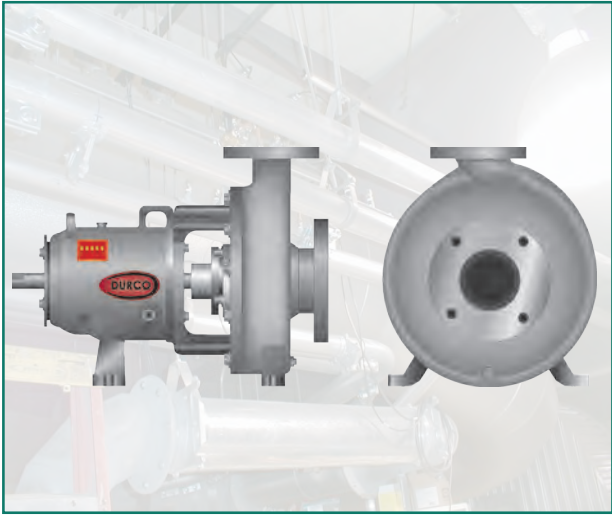


## Application Success Story:

Industry: Manufacturing

Product: Bone Meal

Sealing Solution: Mechanical Seal



- **Application Info**

- Durco MK III GR II

- **Problem**

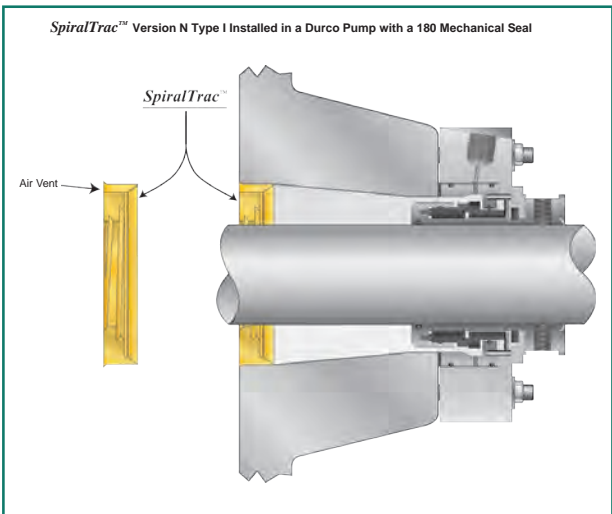
- Very tough application
- Very abrasive product
- Seals were lasting 2 months at best
- Possibility of flush water entering the product
- High maintenance costs

- **Solution**

- **SpiralTrac**<sup>TM</sup> Version N Type I installed with a Chesterton 180 seal

- **Result**

- Now running flush free for a year



**EnviroSeal**  
Engineering Products Limited

2456 Rocky Lake Drive  
Waverley, Nova Scotia B2R 1R6 CANADA  
(902) 861-3464 Fax: (902) 861-3522  
Email: sales@enviroseal.ca  
Website: www.enviroseal.ca

DISTRIBUTED BY:

SpiralTrac is a trademark of EnviroSeal Engineering Products

ST01508-120503