

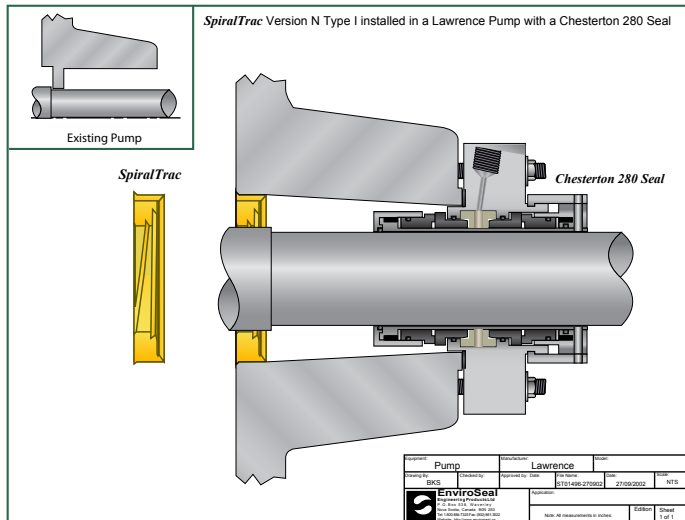


## Application Success Story:

Industry: Pulp & Paper

Product: Heavy Black Liquour

Sealing Solution: Mechanical Seal



### • Problem

- Excessive leakage and introduction of excessive water into the the evaporator system when using packing
- Flush rate 300 GPH / 1135 LPH
- High maintenance costs

### • Solution

- **SpiralTrac™ Version N Type I** installed with 280 Mechanical Seal and dual flow meter
- Current flush rate 15-20 GPH / 56-75 LPH
- Dramatically increased MTBR
- Dramatically decreased operating and maintenance costs
- Customer very happy

### Equipment Info

- Lawrence Pump
- Temperature 320° F (160° C)



**EnviroSeal**  
Engineering Products Limited

2456 Rocky Lake Drive  
Waverley, Nova Scotia B2R 1R6 CANADA  
(902) 861-3464 Fax: (902) 861-3522  
Email: sales@enviroseal.ca  
Website: www.enviroseal.ca

DISTRIBUTED BY: