

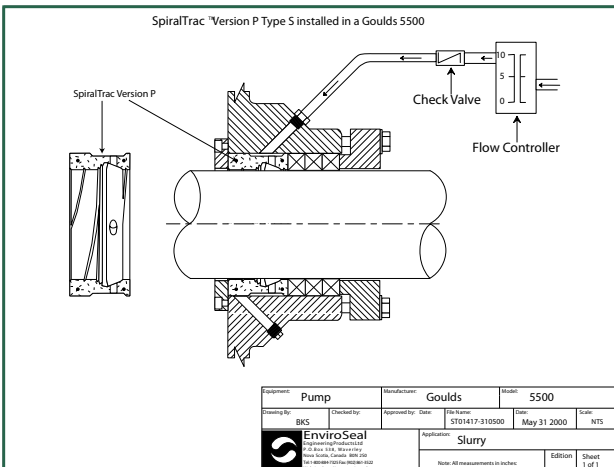
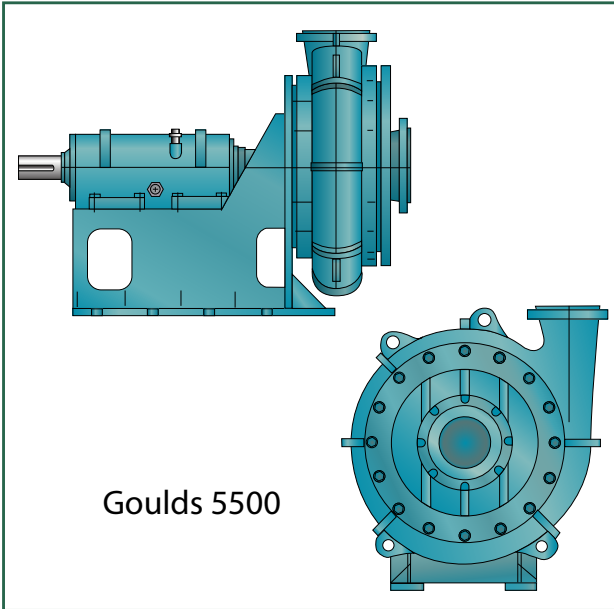


Application Success Story:

Industry: Manufacturing

Product: Slurry

Sealing Solution: Packing



• Problem

- Very tough application
- Lime slurry/ferric silica (2.5% to 8%)
- Packing replaced weekly
- High annual maintenance costs

• Solution

- **SpiralTrac™ Version P** installed with three rings of packing
- Greatly reduced and controlled leakage
- Dramatically reduced maintenance costs, saving 93% annually
- Customer was "amazed at the performance of this system"

• Equipment Info

- Goulds 5500
- Model: 3x4-17



2456 Rocky Lake Drive
Waverley, Nova Scotia B2R 1R6 CANADA
(902) 861-3464 Fax: (902) 861-3522
Email: sales@enviroseal.ca
Website: www.enviroseal.ca

DISTRIBUTED BY:

SpiralTrac is a trademark of EnviroSeal Engineering Products

ST01418-310500