

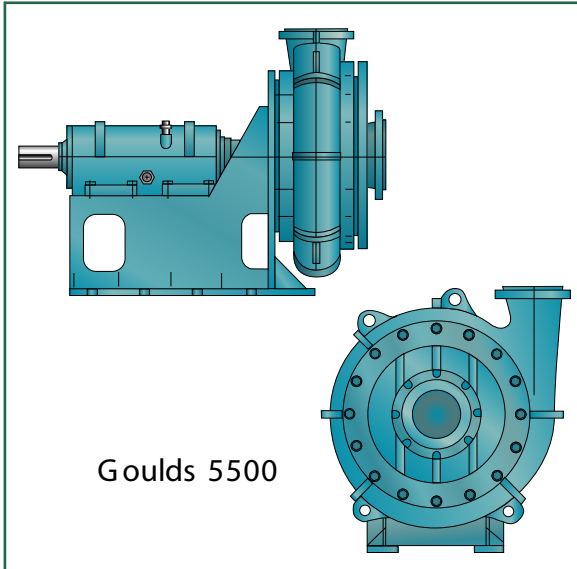


## Application Success Story:

Industry: **Manufacturing**

Product: **Slurry**

Sealing Solution: **Packing**

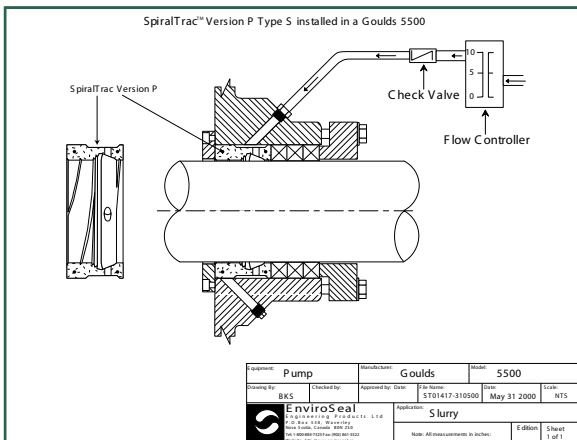


- **Problem**

- Very tough application
- Lime slurry/ferric silica (2.5% to 8%)
- Packing replaced weekly
- High annual maintenance costs

- **Solution**

- **SpiralTrac™ Version P** installed with three rings of packing
- Greatly reduced and controlled leakage
- Dramatically reduced maintenance costs, saving 93% annually
- Customer was "amazed at the performance of this system"



- **Equipment Info**

- Goulds 5500
- Model: 3x4-17



1310 Rocky Lake Drive/P.O. Box 538  
 Waverley, Nova Scotia B0N 2S0 CANADA  
 (902) 861-3464 Fax: (902) 861-3522  
 Email: sales@enviroseal.ca  
 Website: www.enviroseal.ca

DISTRIBUTED BY:

U.S. Patents #5,553,868 #5,167,418  
 Euro. Pat. App. 0 912 848

ST01418-310500