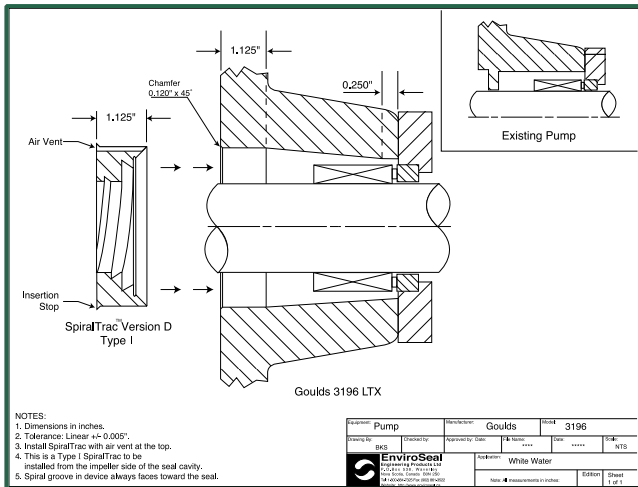




Application Success Story:

Industry: **Pulp & Paper**
 Product: **White Water**
 Sealing Solution: **Mechanical Seal**



• Problem

- Excessive flush and leakage with conventional packing
- Severe sleeve wear
- High maintenance costs

• Solution

- **SpiralTrac™ Version D Type I** installed with a mechanical seal
- Now running with no flush
- Dramatically increased MTBR
- Dramatically decreased operating and maintenance costs
- Customer very happy

Equipment Info

- Goulds Pump.
- Model: 3196 MT & LTX



1310 Rocky Lake Drive/P.O. Box 538
 Waverley, Nova Scotia B0N 2S0 CANADA
 (902) 861-3464 Fax: (902) 861-3522
 Email: sales@enviroseal.ca
 Website: www.enviroseal.ca

DISTRIBUTED BY:

U.S. Patents #5,553,868 #5,167,418
 Euro. Pat. App. 0 912 848

ST01267-130100