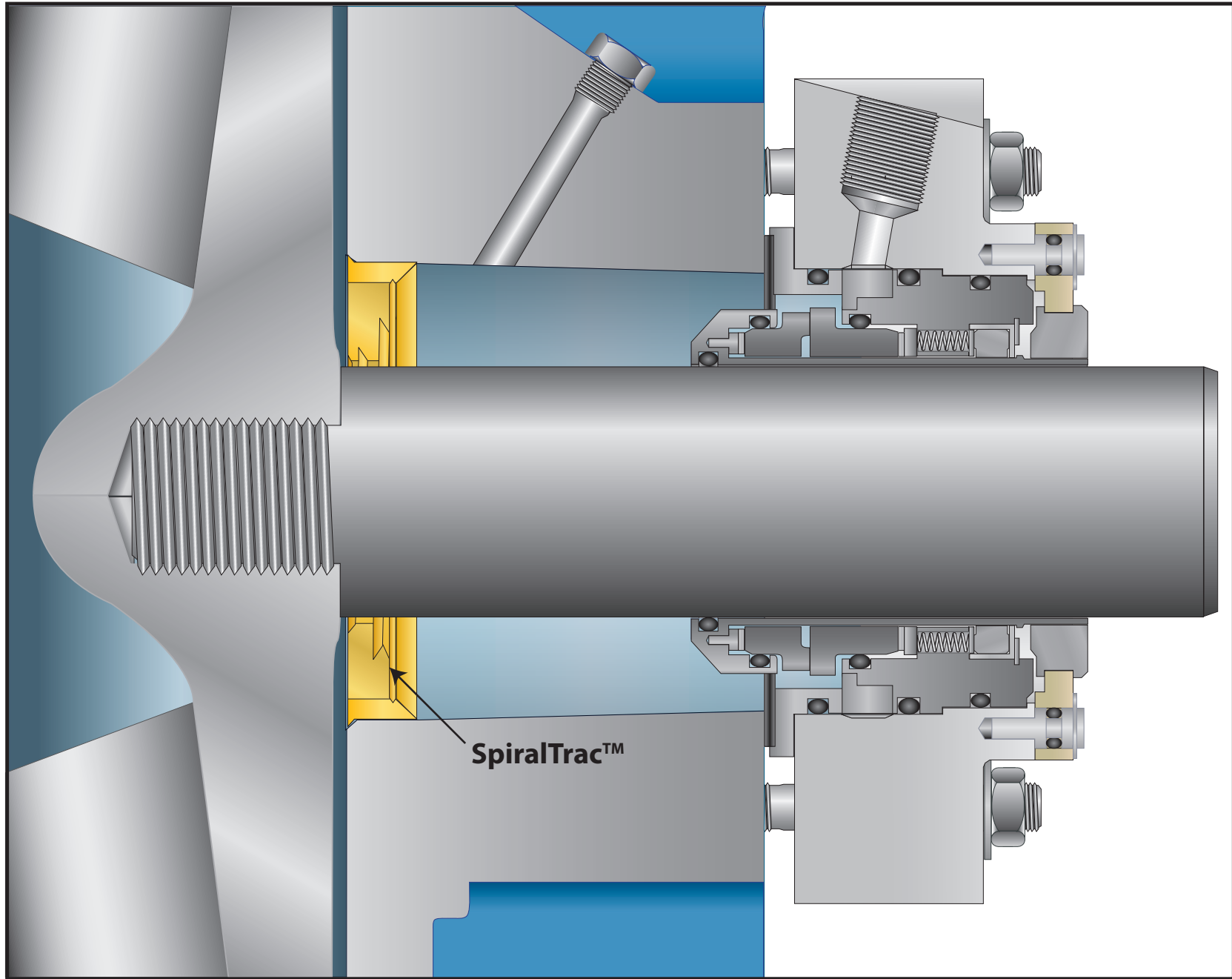



# SpiralTrac™ Version C Type I installed in Generic Pump Cavity



SpiralTrac™

Equipment: <b>SpiralTrac</b>		Manufacturer: <b>EnviroSeal Engineering</b>		Model:	
Drawing By: <b>BKS</b>	Checked by:	Approved by: Date:	File Name: <b>ST01691-250411</b>	Date: <b>May 25 2011</b>	Scale: <b>NTS</b>
 <b>EnviroSeal</b> Engineering Products Ltd 2456 Rocky Lake Drive Waverley, Nova Scotia Canada B2R 1R6 Website: <a href="http://www.enviroseal.ca">http://www.enviroseal.ca</a>			Application:		
Note: All measurements in inches:				Edition	Sheet 1 of 1