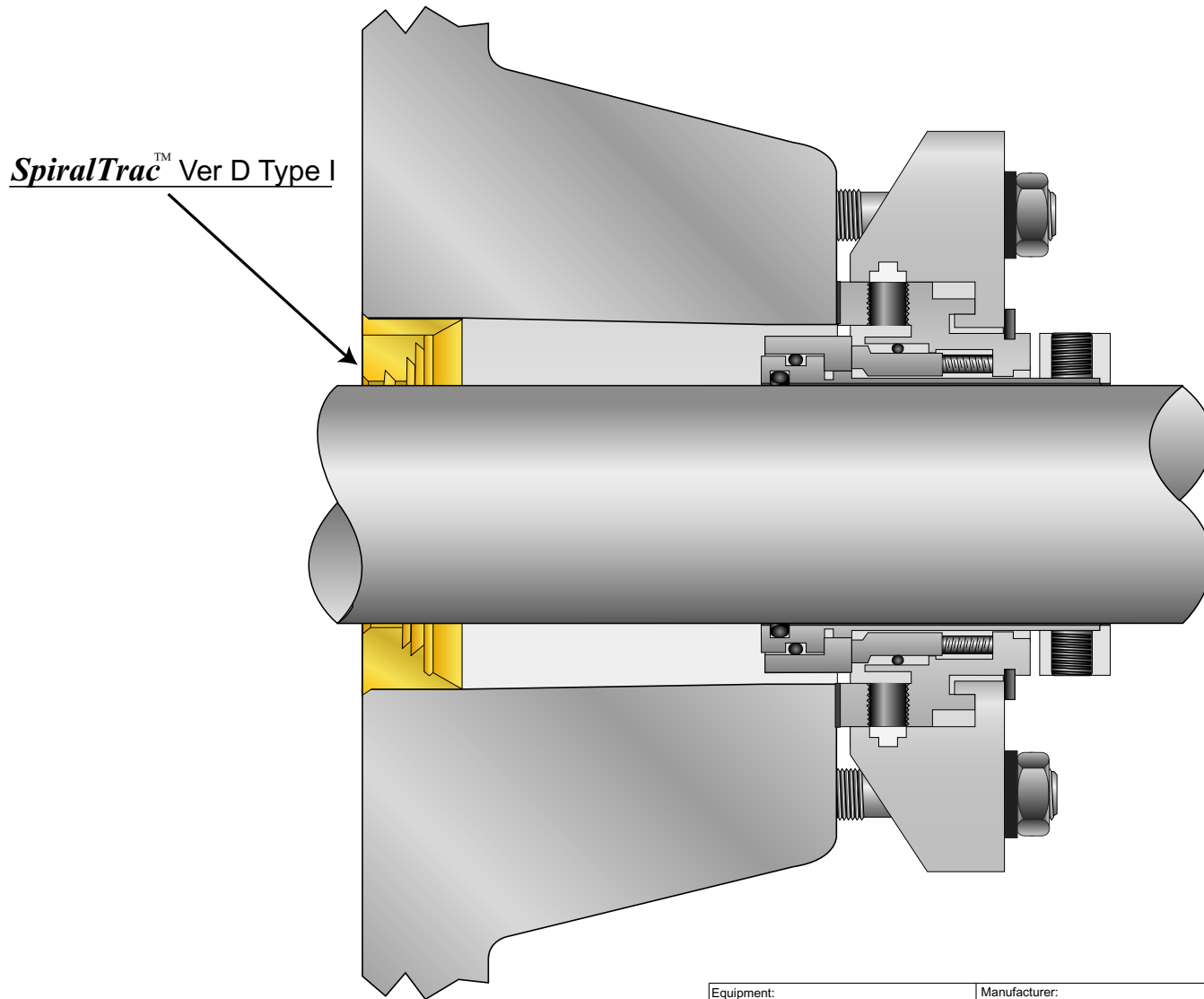



# SpiralTrac™ Version D Type I Installed with a Mechanical Seal



Equipment: <b>Pump</b>		Manufacturer:		Model:	
Drawing By: <b>BKS</b>	Checked by:	Approved by: Date:	File Name: <b>ST011529-110304</b>	Date: <b>March 11 2004</b>	Scale: <b>NTS</b>
 <b>EnviroSeal</b> Engineering Products Ltd P.O. Box 538, Waverley Nova Scotia, Canada B0N 2S0 Tel: 1-800-884-7325 Fax: (902) 861-3522 Website: <a href="http://www.enviroseal.ca">http://www.enviroseal.ca</a>			Application:		
			Note: All measurements in inches:		Edition