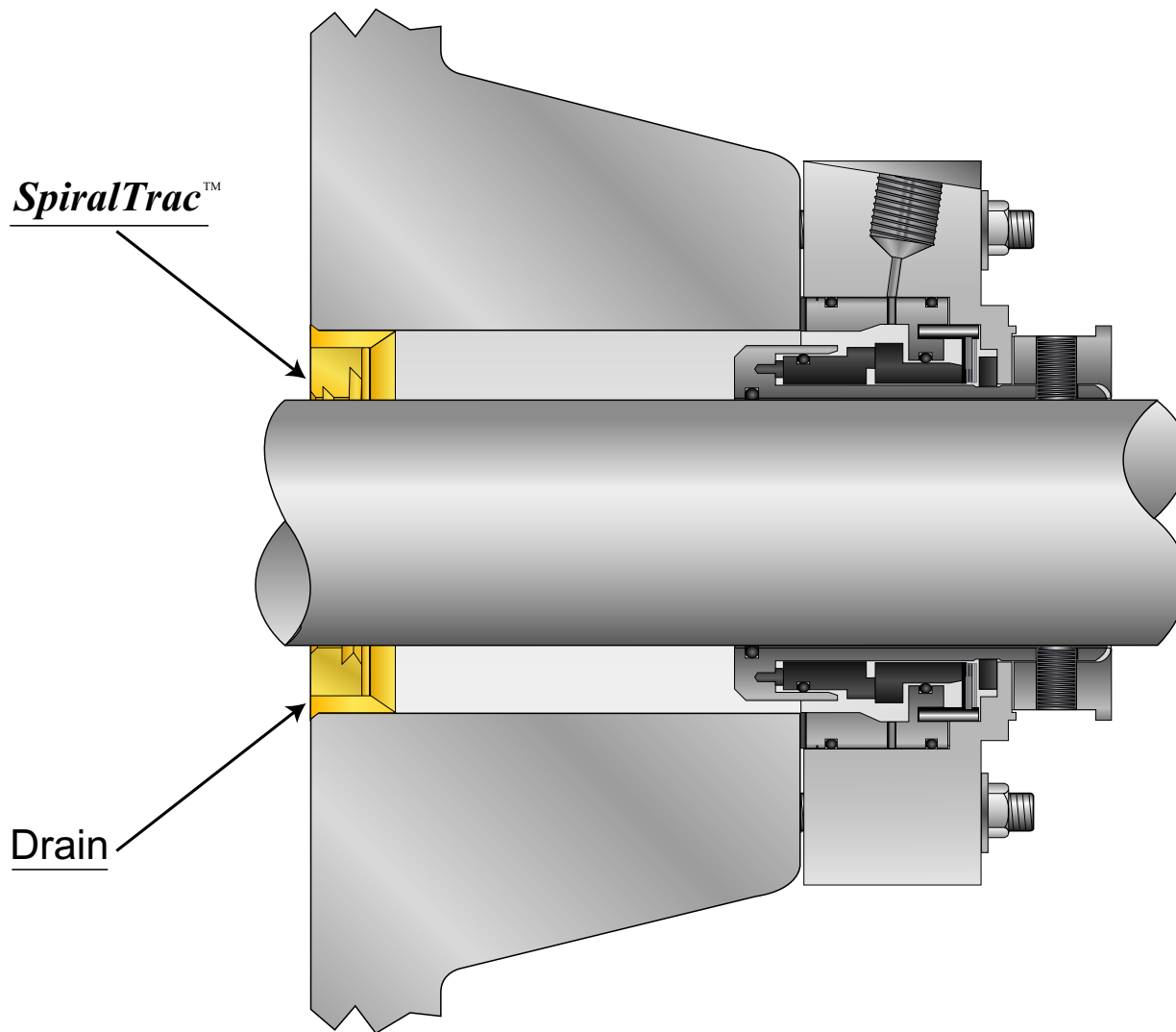



SpiralTrac™ Version C Type I Installed with a Mechanical Seal



Equipment: Pump		Manufacturer:		Model:	
Drawing By: BKS	Checked by:	Approved by: Date:	File Name: ST01528-110304	Date: March 11 2004	Scale: NTS
 EnviroSeal Engineering Products Ltd P.O. Box 538, Waverley Nova Scotia, Canada B0N 2S0 Tel: 1-800-884-7325 Fax: (902) 861-3522 Website: http://www.enviroseal.ca			Application:		
			Note: All measurements in inches:		Edition