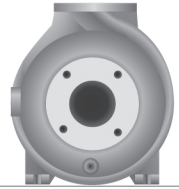


# Goulds 3196



## Mechanical Seal Applications

### Benefits:

**SpiralTrac** Reduces flush to as low as 8-10 GPH (30 - 37 LPH (Fig. 1), or possible "0" flush (Fig. 2).

**SpiralTrac** Increases MTBF.

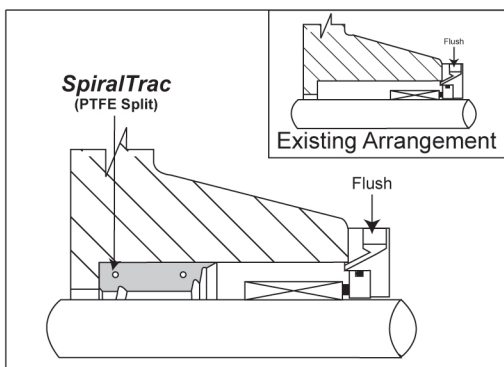
**SpiralTrac** Reduces shaft or sleeve wear.

**SpiralTrac** Eliminates seal and cavity erosion.

**SpiralTrac** Enables seals to operate in applications not possible before.

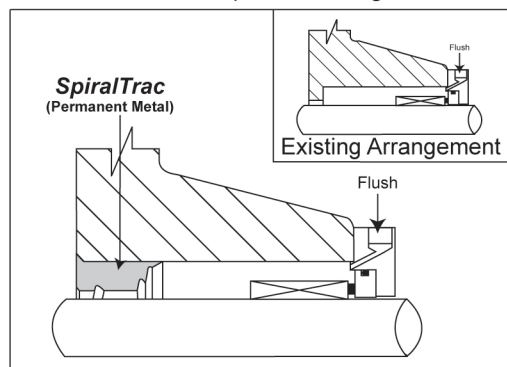
**SpiralTrac** installed with split mechanical seal. <sup>Note 1.</sup>

Fig.1



**SpiralTrac** installed with split or cartridge mechanical seal. <sup>Note 1.</sup>

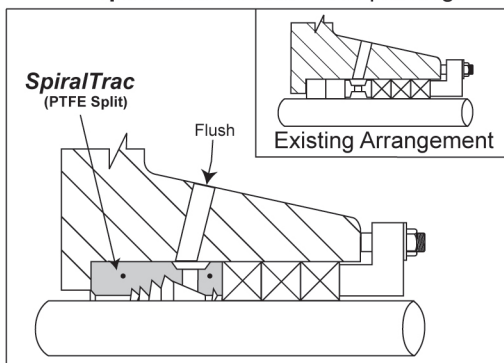
Fig.2



## Packing Applications

**SpiralTrac** installed with packing. <sup>Note 1.</sup>

Fig.3



### Benefits:

**SpiralTrac** Reduces flush required to as low as 8-10 GPH (30 - 37 LPH).

**SpiralTrac** Increases MTBF.

**SpiralTrac** Requires less packing .

**SpiralTrac** Reduces shaft or sleeve wear.

**SpiralTrac** Enables packing to operate at a controlled drip rate with fewer adjustments.

## SpiralTrac Enhanced Environment

Results that will surpass anything you have experienced in the past.

**Part numbers for SpiralTracs to be installed in Goulds 3196.**

Model		Part Number	Comments
<b>3196 ST</b>	Regular Bore	NI 1375 RB 2000 (XXX)	Permanent metal seal device: split or cartridge.
		NI 1375 RI 2250 (XXX)	Permanent metal seal device: split or cartridge.
		DI 1375 RI 2250 (XXX)	Permanent metal seal device: split or cartridge.
		FI 1375 RS 2000 (ESC)	PTFE split device.
		PI 1375 RS 2000 (ESC) 3L.4375	PTFE split packing device.
	Big Bore	NI 1375 RI 2880 (XXX)	Permanent metal seal device: split or cartridge.
		DI 1375 RI 2880 (XXX)	Permanent metal seal device: split or cartridge.
	Taper Bore	NI 1375 RI 3293 (XXX)	Permanent metal seal device: split or cartridge.
		DI 1375 RI 3293 (XXX)	Permanent metal seal device: split or cartridge.
<b>3196 MT</b>	Regular Bore	NI 1750 RB 2500 (XXX)	Permanent metal seal device: split or cartridge.
		NI 1875 RI 2762 (XXX)	Permanent metal seal device: split or cartridge.
		DI 1875 RI 2762 (XXX)	Permanent metal seal device: split or cartridge.
		FI 1750 RS 2500 (ESC)	PTFE split device.
		PI 1750 RS 2500 (ESC) 2L.625	PTFE split packing device.
	Big Bore	NI 1875 RI 3500 (XXX)	Permanent metal seal device: split or cartridge.
		DI 1875 RI 3500 (XXX)	Permanent metal seal device: split or cartridge.
	Taper Bore	NI 1875 RI 4063 (XXX)	Permanent metal seal device: split or cartridge.
		DI 1875 RI 4063 (XXX)	Permanent metal seal device: split or cartridge.
<b>3196 LT</b>	Regular Bore	NI 2125 RB 2875 (XXX)	Permanent metal seal device: split or cartridge.
		NI 2125 RI 2998 (XXX)	Permanent metal seal device: split or cartridge.
		DI 2125 RI 2998 (XXX)	Permanent metal seal device: split or cartridge.
		FI 2125 RI 2875 (ESC)	PTFE split device.
		PI 2125 RS 2875 (ESC) 2L.625	PTFE split packing device.
	Big Bore	NI 2125 RI 3880 (XXX)	Permanent metal seal device: split or cartridge.
		DI 2125 RI 3880 (XXX)	Permanent metal seal device: split or cartridge.
<b>3196 XLT</b>	Regular Bore	NI 2500 RB 3375 (XXX)	Permanent metal seal device: split or cartridge.
		NI 2500 RI 3468 (XXX)	Permanent metal seal device: split or cartridge.
		DI 2500 RI 3468 (XXX)	Permanent metal seal device: split or cartridge.
		FI 2500 RS 3375 (ESC)	PTFE split device.
		PI 2500 RS 3375 (ESC) 2L.625	PTFE split packing device.
	Big Bore	NI 2500 RI 4750 (XXX)	Permanent metal seal device: split or cartridge.
		DI 2500 RI 4750 (XXX)	Permanent metal seal device: split or cartridge.
Material Code: <b>ESC</b> - Carbon Graphite PTFE <b>416</b> -416 Stainless Steel <b>316</b> -316 Stainless Steel <b>BRZ</b> -Bronze			

**Why use a SpiralTrac™ Environmental Controller in your Pump?**

**With A Mechanical Seal**

Contaminants normally accumulate at the seal cavity bore because centrifuge drives abrasives outward. SpiralTrac establishes a flow pattern, drawing from the bore to collect and expel abrasives from the cavity. The SpiralTrac Enhanced Environment results in longer seal life, reduced flush requirements and less maintenance.

**With Packing**

By design, the SpiralTrac™ Version P enables greatly reduced flush through enhanced utilization of the flow and centrifugal effects around the rotating shaft. Normally abrasives accumulate under the bottom rings of packing, causing shafts and sleeves to wear. SpiralTrac™ creates a "cleaner" environment below the packing, thereby reducing erosion. The benefits of high quality packing; low leakage, fewer adjustments, and reduced wear rates can finally be utilized. The use of three rings of packing is recommended.

The information contained in this bulletin is accurate at time of print. The purchaser is responsible for ensuring the dimensions, quantity and applications suitability meet end-user requirements. Most products are "manufactured to order"; therefore, EnviroSeal Engineering Products Ltd. retains the right to individually authorize returns based upon the potential for resale of the products within a reasonable period of time.

**Questions:** Ask your local Distributor or contact EnviroSeal directly.



Copyright © 2004  
EnviroSeal Engineering Products Ltd

Tel:(902)861-3464  
Fax: (902) 861-3522  
Tel: 1-800-884-7325(North America only)  
www.enviroseal.ca  
Email: sales@enviroseal.ca

ST01457-290601a